



CUSTOM ORDERING GUIDE

EZ Align Single Disc Brake Line

Custom orders cannot be returned or refunded. Please see our warranty and returns policy. Call (585) 381-8380 for more information

Name: _____

Business Name: _____

Address: _____

Phone: _____

Email: _____

Model: _____
Year: _____

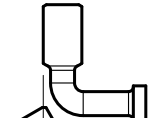

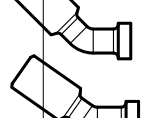

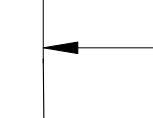
Model and Year must be specified to get stock lengths

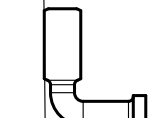
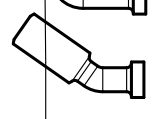
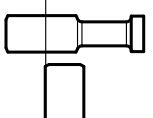
Braid Color:

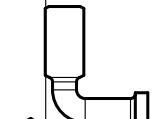
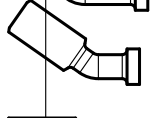
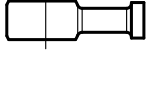
- Sterling Chromite II
- Polished Stainless
- Black Pearl
- Copper Canyon
- KARBONFIBR
- XR Black
- XR Stainless Steel

Fitting Plating:

- Chrome
- Black

-  10mm, 90°
-  10mm, 60°
-  10mm, 45°
-  10mm, 35°
-  10mm, 0°

-  7/16", 90°
-  7/16", 35°
-  7/16", 0°

-  12mm, 90°
-  12mm, 35°
-  12mm, 0°

Stock Length
Or
Custom Length

INCHES



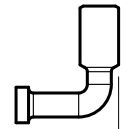
NOTE:
10mm is compatible with 3/8"

NOTE: Minimum Length = 24". For shorter lengths use Magnum Universal Brake Lines and Standard AN-3 fittings.

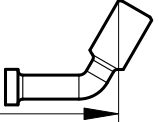


EZ Align feature eliminates the need to specify clocking angle!

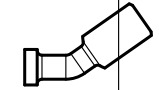
90°, 10mm



60°, 10mm



35°, 10mm



0°, 10mm

